



3-speed technology

– The power of flexibility

One of the main features of a SuperBrute is its 3-speed motor. This unique motor advancement, pioneered by Grundfos more than 30 years ago, allows you the ability to adjust the pump speed to fit your specific application. Flexibility to choose your speed gives you the peace of mind that you have the correct pump for the job. The versatility of the SuperBrute not only reduces the number of circulators you have in your truck, but also reduces your installation time and callbacks.

Features

- Lower inventory – increased profitability
- Easy to install – easy to service
- Reliable starts – trouble-free performance
- Industry leading three-year warranty
- All models UL approved
- Stainless steel models are NSF61 approved



Cast Iron
UPS 15-58FC



Stainless Steel
UPS 15-55SUC/TLC

Lower inventory for increased profitability

- 5 models replace 63 competitor pumps
- SuperBrutes offer a 3-speed switch for extreme flexibility



- Fast installation time for a higher profit margin

Easy installation

- Quick connect terminals for easy installation



- Removable check valve eliminates need for an in-line flow check



Reliable starts

- Patented electronic starting unit provides the highest starting torque of any circulators in its class (UPS15-58 only)
- Ceramic bearings ensure years of quiet, trouble-free operation

– Building on success

Due to the popularity of the UPS15-58 SuperBrute, we designed four new models to expand the 3-speed circulator range. For most hydronic heating applications, the UPS15-58 is the only circulator you will ever need. But, since some situations require unique demands, the UPS26-99, UPS43-44, UPS15-35 and UPS15-55 were designed to complete the SuperBrute range. All the pumps contain the same features that made the original SuperBrute such a sought-after alternative. Flexibility, ease of installation, and reduced inventory are the benefits that make the SuperBrute team the new standard in circulators.

- **UPS15-58:** Fits most standard hydronic applications
- **UPS26-99:** For applications requiring higher head
- **UPS43-44:** For applications requiring lower head with higher flow
- **UPS15-35 and UPS15-55:** For applications requiring stainless steel

– The SuperBrute team

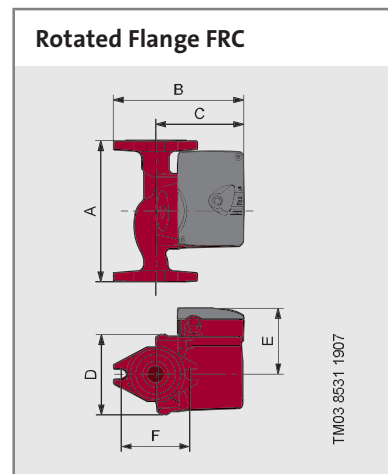
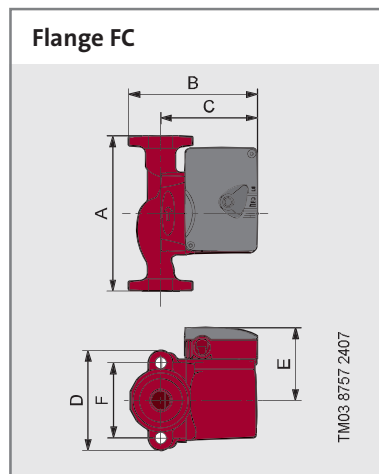
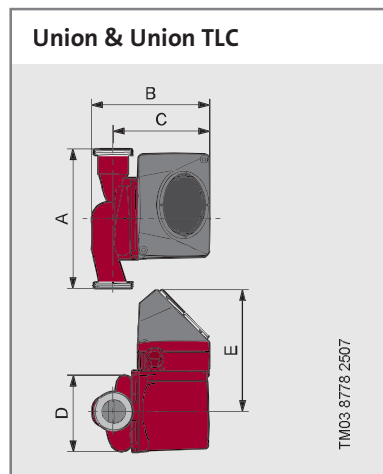
	Model		Part Number	
	UPS15-58FC,	115 V,	Cast Iron	59896341
	UPS15-58FRC,	115 V,	Cast Iron	59896343
	UPS26-99FC,	115 V,	Cast Iron	52722512
	UPS26-99FC,	230 V,	Cast Iron	52722513
	UPS26-99BFC,	115 V,	Bronze	52722518
	UPS26-99BFC,	230 V,	Bronze	52722519
	UPS43-44FC,	115 V,	Cast Iron	52722514
	UPS43-44FC,	230 V,	Cast Iron	52722515
	UPS43-44BFC,	115 V,	Bronze	52722520
	UPS43-44BFC,	230 V,	Bronze	52722521
	UPS15-35SFC,	115V,	Stainless	59896772
	UPS15-35SUC,	115V,	Stainless	59896778
	UPS15-35SUC/TLC,	115V,	Stainless	59896780
	UPS15-55SFC,	115V,	Stainless	59896773
	UPS15-55SUC,	115V,	Stainless	59896781
	UPS15-55SUC/TLC,	115V,	Stainless	59896783

– SuperBrute features

Model Type	Max Fluid Temperature			Min. Fluid Temperature	Max. System Pressure 145 PSI	Removable Check Valve	Timer and Line Cord	Connection Type		
	150°F (66°C)	165°F (74°C)	230°F (110°C)	36°F (2°C)				GF 15/26	GU 125	GF 40/43
UPS15-58FC				•	•	•		•		
UPS15-58FRC			•	•	•	•		•		
UPS26-99FC/BFC			•	•	•	•		•		
UPS43-44FC/BFC			•	•	•	•				•
UPS15-35SFC		•		•	•	•		•		
UPS15-35SUC		•		•	•	•			•	
UPS15-35SUC/TLC	•			•	•	•	•		•	
UPS15-55SFC			•	•	•	•		•		
UPS15-55SUC			•	•	•	•			•	
UPS15-55SUC/TLC	•			•	•	•	•		•	

– SuperBrute dimensions

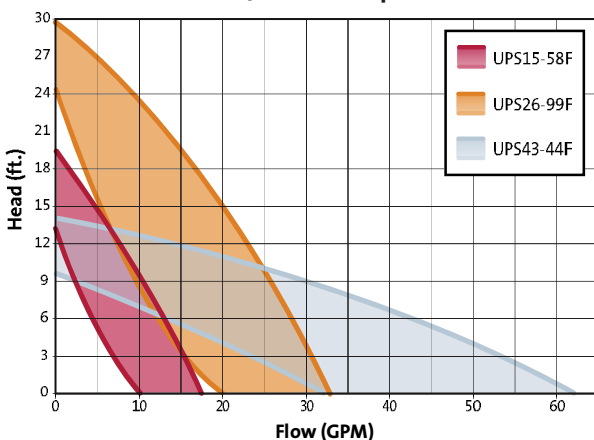
Model Type	A	B	C	D	E	F
UPS15-58FC	6 1/2	5 1/4	4	4 3/16	3	3 5/32
UPS15-58FRC	6 1/2	5 1/4	4	4 3/16	3	3 5/32
UPS26-99FC/BFC	6 1/2	6	4 7/8	3 1/2	3 7/16	3 5/32
UPS43-44FC/BFC	8 1/2	6 11/16	5 1/8	4 3/4	3 3/16	3 7/16
UPS15-35SFC	6 8/16	5 8/16	4 2/16	3 14/16	2 15/16	3 2/16
UPS15-35SUC	5 14/16	5 1/16	4 2/16	3 7/16	2 15/16	-
UPS15-35SUC/TLC	5 14/16	5 1/16	4 2/16	3 7/16	2 15/16	-
UPS15-55SFC	6 8/16	5 8/16	4 2/16	3 14/16	2 15/16	3 2/16
UPS15-55SUC	5 14/16	5 1/16	4 2/16	3 7/16	2 15/16	-
UPS15-55SUC/TLC	5 14/16	5 1/16	4 2/16	3 7/16	2 15/16	-



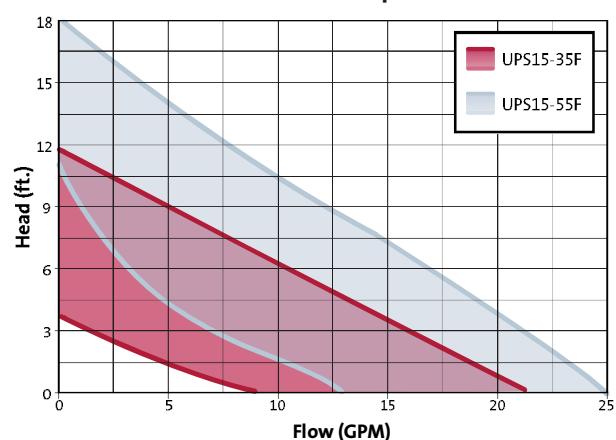
– Competitive cross-reference & SuperBrute curves

MODEL	SPEED	TACO	Bell & Gossett	Armstrong
UPS15-58 FC/FRC	HIGH	005, 007, 008, 0010-IFC, 00R-MSF1-IFC	NRF-22, LR-20WR	Astro 30
	MEDIUM	005, 005-IFC, 007, 007-IFC, 008, 008-IFC, 0010-IFC, 00R-IFC, 00R-MSF1-IFC	NRF-9F/LW	Astro 25
	LOW	005, 005-IFC, 006, 006-IFC, 00R-MSF1-IFC		Astro 20
UPS26-99 FC/BFC	HIGH	0011, 0013-IFC, 0014	NRF-36 SP-2, NRF-45 SP-2	E7
	MEDIUM	0011, 0011-IFC, 0014, 0014-IFC	Series 100, PL-30, PR, NRF-36 SP-1, NRF-45 SP-1	Astro 50, H41
	LOW		LR-15BWR	Astro 30
UPS43-44 FC/BFC	HIGH	0012,	HV	
	MEDIUM	0010, 0012-IFC	NRF-33	H32
	LOW	0010-MSF1-IFC		
UPS15-35SFC	HIGH	005-BF2, 005-BF2-1 IFC, 007-BF5, 007-BF5-1 IFC	NBF-12F/LW, SSF-12F/LW	Astro 30 SP-2
	MEDIUM			Astro 20BF, Astro 30 SP-1
	LOW			
UPS15-35 SUC	HIGH		NBF-12U/LW, SSF-12U/LW	Astro 25BU
	MEDIUM	006-BC4-1, 006-B7-IFC	NBF-9U/LW	Astro 25BU
	LOW	003-B4-2-IFC		
UPS15-35 SUC/TLC	HIGH			Astro 25BU-T
	MEDIUM			Astro 25BU-T
	LOW			
UPS15-55SFC	HIGH			Astro 30BF
	MEDIUM	008-BF6, 008-BF6-1 IFC, 008-BC6-IFC, 00R-BF6-IFC	NBF-22, SSF-22	Astro 30BF SP-2
	LOW			Astro 30 SP-1, Astro 50 SP-1
UPS15-55 SUC	HIGH			
	MEDIUM		NBF-22U, SSF-22U	
	LOW			

Cast Iron/Bronze SuperBrutes



Stainless Steel SuperBrutes



L-UP-SL-027 8/08 (US)